

# Lifting column JC35EM2



TECHNOLOGY  
DRIVES INTELLIGENT LIFE

Data sheet

## Lifting column JC35EM2

### Features

- EM2 is designed for linear lifting column with one of 24VDC actuator inside
- It is designed to provide vertical lift (only push) in where both need bending and torque force
- EM2 has three types: EM2-A(small), EM2-B(medium) and EM2-C(large)
- There are two processed plates with four holes to fix
- Anodised aluminium
- Low noise
- Nice design
- Protection class: IP43



---

### Options

- With hall-sensor (apply for synchronize or memory function)

### Usage

- Usage temperature: From +5° to +40°
- Duty cycle: 2 minutes continuous use followed by 18 minutes not in use
- Compatibility: JCB35A, JCB35B, JCB35E, JCB35Q, JCB35T and JCB35R

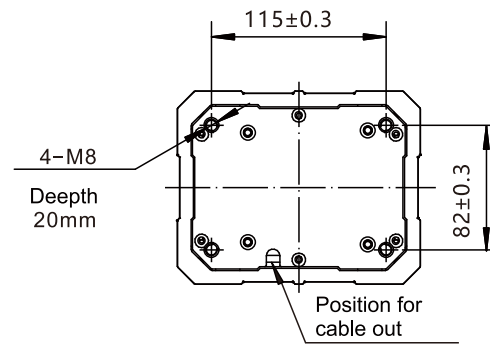
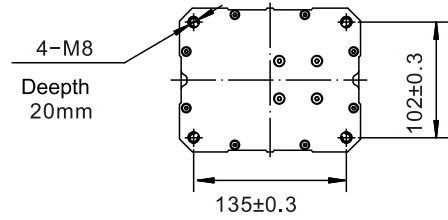
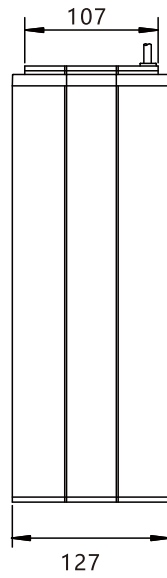
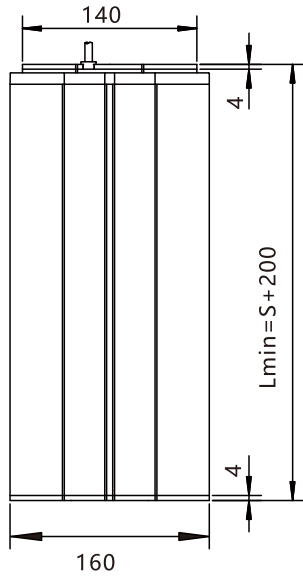
## Technical specifications

Spindle pitch (mm)	Push max (N)	Self-lock (N)	Bending force max(Dynamic) (NM)	Speed without load (mm/s)	Speed under load (mm/s)	Current under load (A)
4	6000	6000	500	5	3	6.0
5	4000	4000	500	6.0	4	4.5
5	2000	2000	500	13	9	4.5

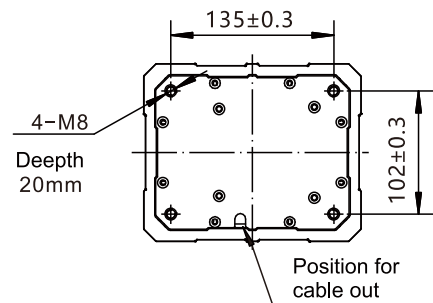
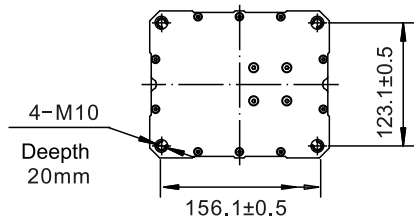
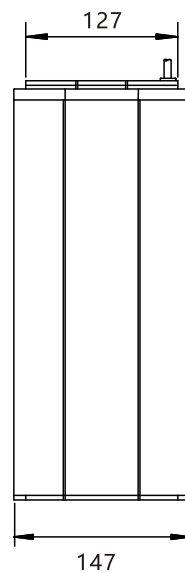
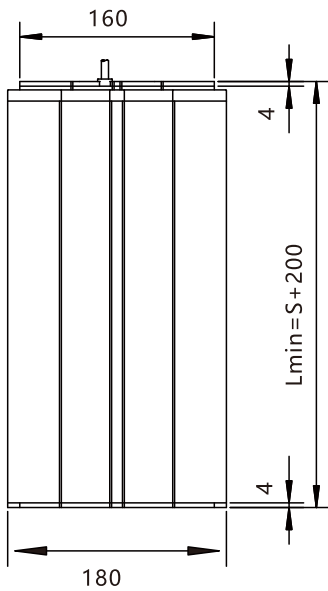
### Comments to table

- The above measures are made in connection with 24V DC stabilized voltage supply.
- JIECANG control boxes are designed so that they will short-circuit the motor terminals (poles) of the actuator(s) when the actuator(s) are not running. This solution gives the actuator(s) a higher self-locking ability. If the actuator(s) are not connected to a JIECANG control box, the terminals of the motor must be short-circuited to achieve the self-locking ability of the actuator.
- The max bending force is tested with stroke of the column is less than 300mm
- The max stroke is 300mm with loading force is 6000N  
The max stroke is 400mm with loading force is 4000N  
The max stroke is 600mm with loading force is 2000N

## Dimension

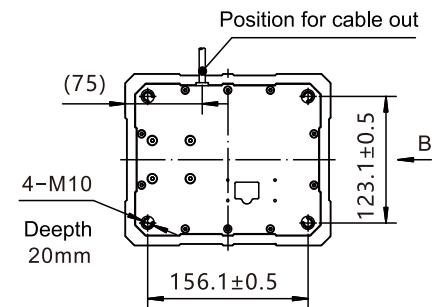
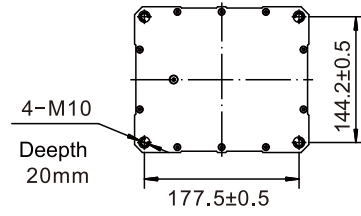
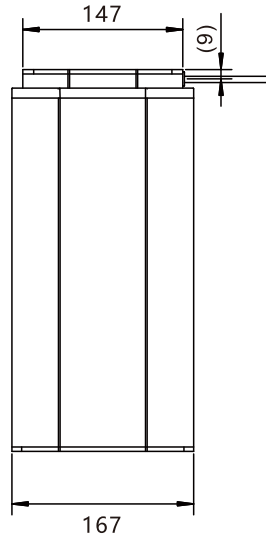
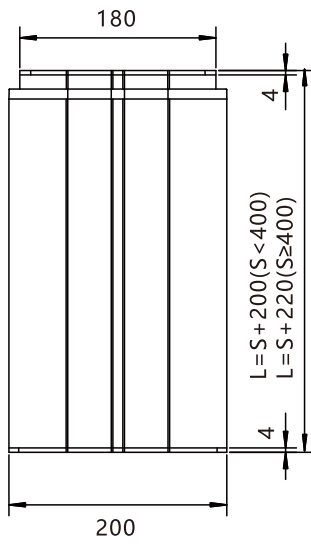


JC35EM2A



JC35EM2B

## Dimension



JC35EM2C

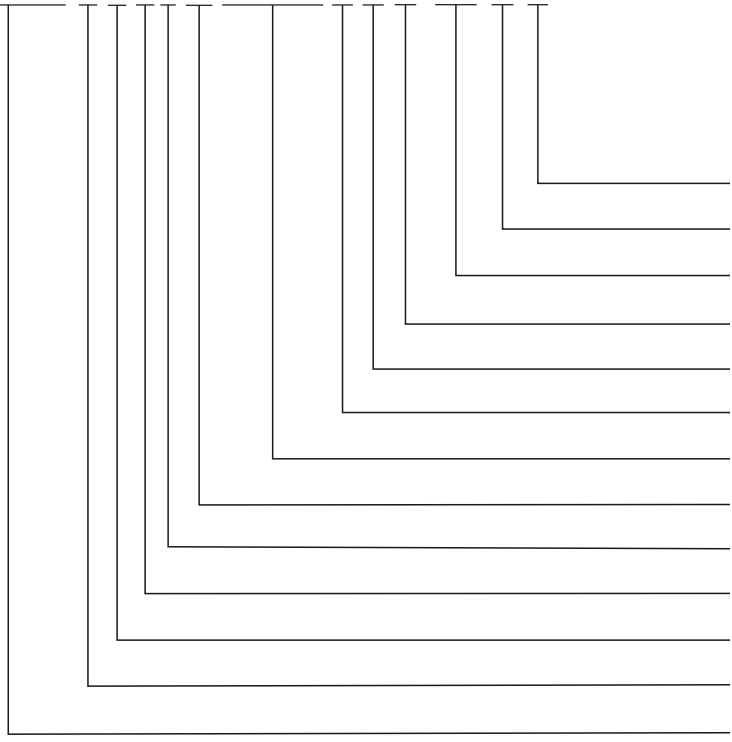
## Installation dimensions

$L = S + 200 ( S < 400 )$

$L = S + 220 ( 400 \leq S \leq 600 )$

## Ordering Key

JC35EM2 Y C 4 4 24 200/400 O 1 10 1D5 07 G



Color	G=Grey
Surface	07=Oxidation treatment
Cable Length	1D5=1.5m
Plug and Cable	
Connection Position	1=Top mounting plate outlet
Mounting	O=220*96*12
Stroke/Retraced Length	
Input Voltage	24V
Speed at Full Load	4=4mm/s
Load	4=4000N
Profile Code	
Options	
Type	