

---

# JCHT35K50

## A series of handset



Data sheet

## JCHT35K50A/B/C



JCHT35K50A



JCHT35K50B



JCHT35K50C

- JCHT35K50 is an exquisite handset, which is operated by tilting. It has the following series:
  - JCHT35K50A: Operate by tilting for up and down, indicator lights
  - JCHT35K50B: Operate by tilting for up and down, LED displays, Indicator lights
  - JCHT35K50C: Operate by tilting for up and down, OLED displays, 2 Memory locations, Sedentary reminder, Child lock function, Low power consumption

---

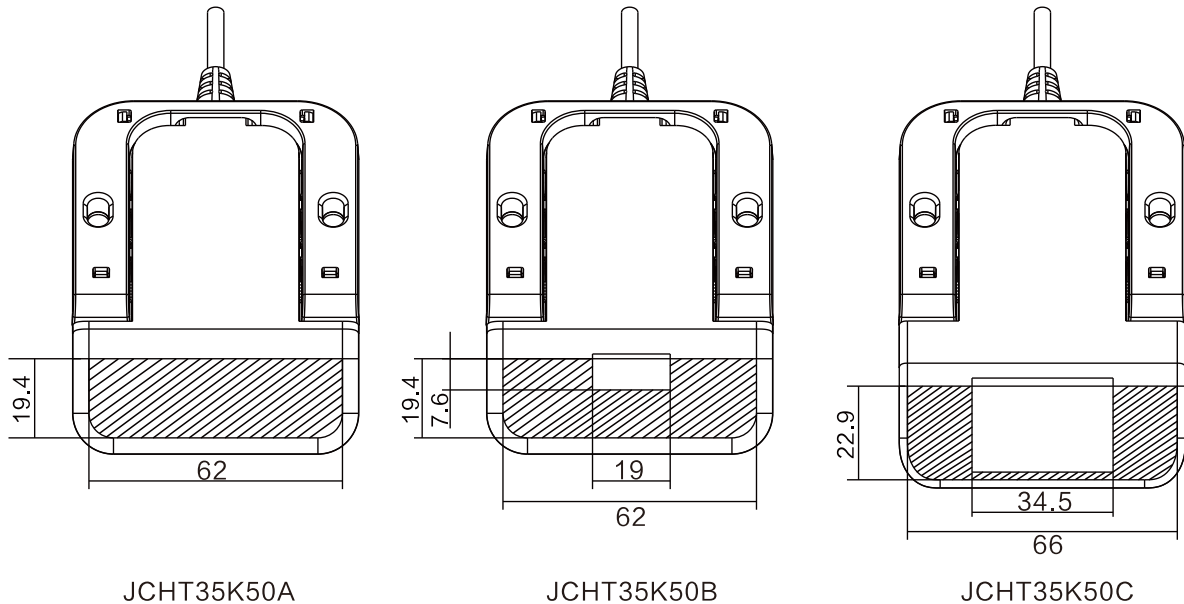
### Features

- Exquisite appearance
- Patented product
- Footed tosses control the rise and fall

---

## Options

- Accept customer LOGO customization



Please note: The shaded area is a customized logo area /PC OLED screen supports customized logo.

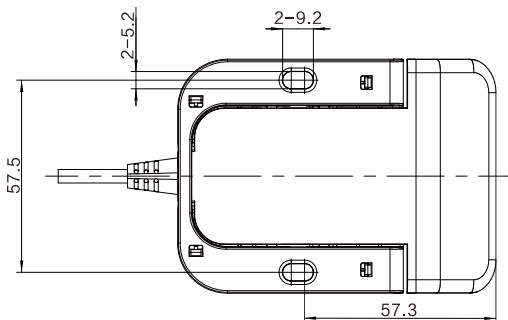
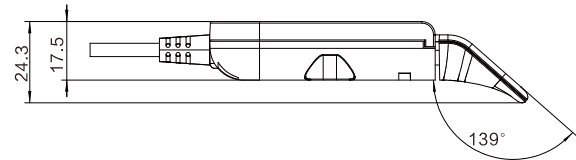
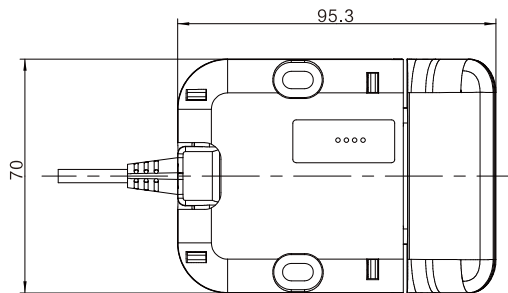
---

## Usages

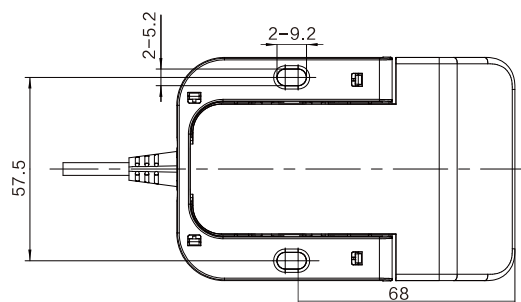
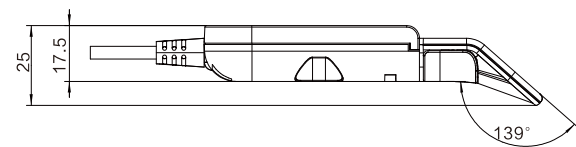
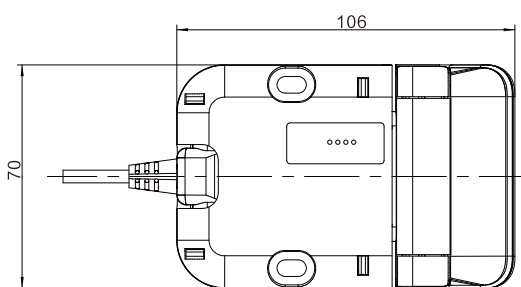
- Fit with control box: JCB35N; JCB35N1/ JCB36N1; JCB35N2/ JCB36N2; JCB35N3/ JCB36N3; JCB36N4; JCB35M/ JCB36M; JCB35NS1/JCB36NS1/JCB35NS2/ JCB36NS2; JCB35NH2
- Working environment: Indoor
- Storage and transport temperature: -25°C + 70°C
- Relative humidity: RH40%-95%

## Dimensions

JCHT35K50A/B

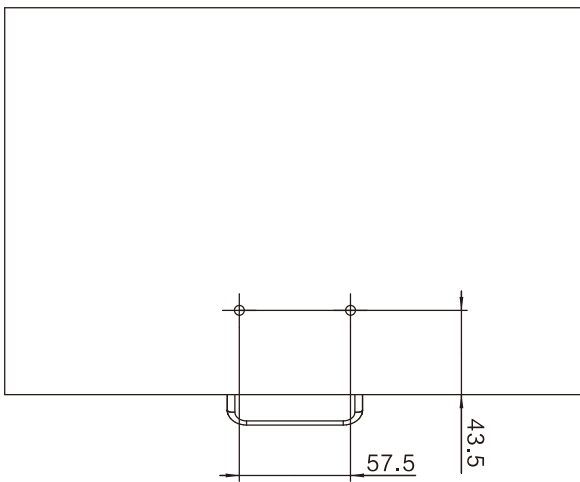
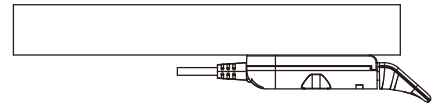
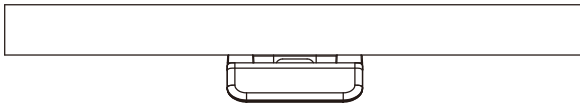


JCHT35K50C

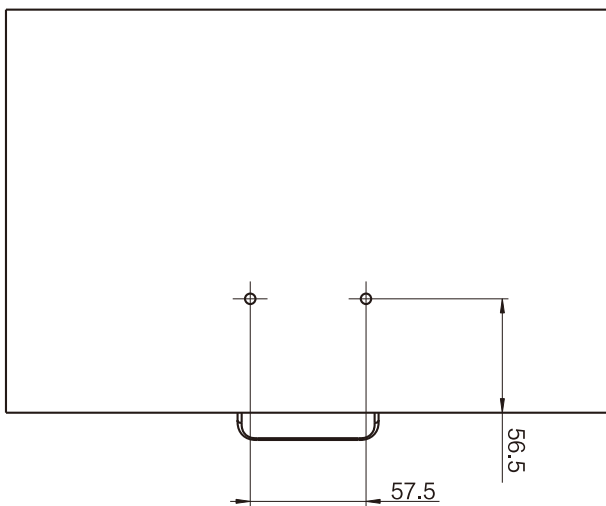
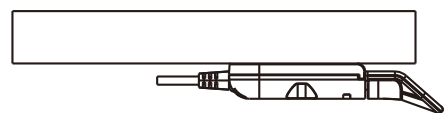
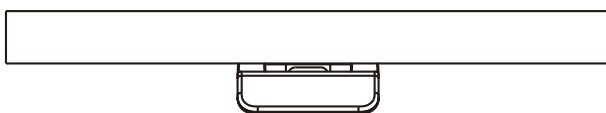


## Installation Instruction

JCHT35K50A/B



JCHT35K50C



## Ordering key

J	C	H	T	3	5	K	5	0	C	-	2	-	0	1	V	-	B	/	0	1	-	8	H	-	2	D	0	-	O	/	W	-	1
																												Mount type	01=Tilt mounting (With the Angle)				
																												Display type&Backlight color	Display type: O=OLED Backlight color: W=White				
																												Wire length	2D0=2.0m				
																												Wire plug/type code	8H=8 core crystal plug				
																												Shell key&Key color	Shell key: B=Black G=White S=Gray Key color: 01=Black 02=Green 03=Gray				
																												Panel code					
																												Number of memory keys	2				
																												Serial number + high matching	50C= Serial number + High configuration (up and down button + display + memory)				
																												Type	JCHT35K50 Series				